

A61
Female x Female

A61
Groove x Groove

Description

The A61 Test and Drain valve for sprinkler systems combines the functions of test and drain for wet sprinkler systems. The A61 valves have forged brass body with chrome plate brass ball valve and PTFE seats. The valves complies with the requirements of NFPA-13, NFPA-13R and NFPA-13D. The A61 valves are single handle ball valves with three working positions. They include tamper resistant test orifice and sight glass for the visual control.

Versions and product codes

Series	Size	Type
A61	1"	NPT (F) x NPT (F)
	1 1/4"	
	2"	
	1 1/4"	Groove x Groove
2"		

Orifice codes

Valves size	Size	K factor
1"	3/8"	2,8
	7/16"	4,2
	1/2"	5,6
	17/32"	8,0
1 1/4"	3/8"	2,8
	7/16"	4,2
	1/2"	5,6
	17/32"	8,0
	5/8"	11,2
	3/4"	14,0
2"	7/16"	4,2
	1/2"	5,6
	17/32"	8,0
	5/8"	11,2
	3/4"	14,0
	15/16"	16,8
	15/64"	22,4
19/64"	25,2	

Technical data

- Rated pressure: 300 psi

Approvals



NOTA GENERALE:

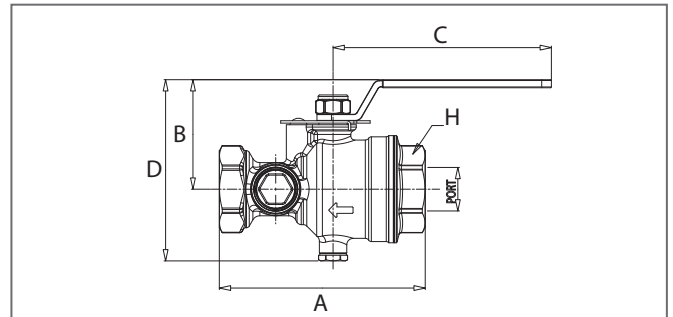
L'attrezzatura presentata in questo bollettino deve essere installata in conformità agli ultimi standard pubblicati dalle Norme UNI EN 12845, National Fire Protection Association, Factory Mutual Research Corporation o altre organizzazioni simili e anche con le disposizioni dei codici governativi o delle ordinanze laddove applicabili. Con la presente pagina tecnica, MEFA Italia intende fornire pertinenti informazioni tecniche, aggiornandole periodicamente. MEFA Italia non si ritiene responsabile in caso di errori di stampa o informazioni inesatte in quanto le stesse possono variare senza preavviso. The equipment presented in this bulletin is to be installed in accordance with the latest published Standards of the UNI EN 12845, National Fire Protection Association, Factory Mutual Research Corporation, or other similar organizations and also with the provisions of governmental codes or ordinances whenever applicable. With this technical page, MEFA Italia intends to provide relevant technical information, updating them periodically. MEFA Italia is not responsible for any inaccurate print or inaccurate information as these may vary without prior notice.

Materials

- Forged brass body
- Chrome plated ball
- Steel handle
- Valve seat in PTFE
- Indication disk in brass
- Sight glasses in polycarbonate

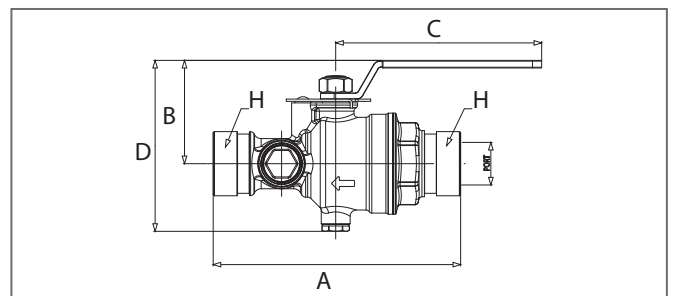
Dimensions

A61 - FEMALE NPT x FEMALE NPT



Size	C (plug)	PORT	A	B	C	D	H
1"	1/4"	1 1/16"	5 1/32"	2 43/64"	5 11/32"	4 27/64"	1 57/64"
1 1/4"	1/4"	1 1/16"	5 1/32"	2 43/64"	5 11/32"	4 27/64"	1 57/64"
2"	1/4"	1 12/16"	6 6/32"	4"	6 26/32"	6 21/64"	2 40/64"

A61 - GROOVE X GROOVE



Size	C (plug)	PORT	A	B	C	D	H
1"	1/4"	1 1/16"	5 1/32"	2 43/64"	5 11/32"	4 27/64"	1 57/64"
1 1/4"	1/4"	1 1/16"	5 1/32"	2 43/64"	5 11/32"	4 27/64"	1 57/64"
2"	1/4"	1 12/16"	6 6/32"	4"	6 26/32"	6 21/64"	2 40/64"

Product specifications

A61

Test and drain valve for sprinkler systems combines the functions of test and drain for wet sprinkler systems. complies with the requirements of NFPA-13, NFPA-13R and NFPA-13D and is FM approved and UL listed.

Main feature as following:

- NPT threads 1" - 1 1/4" - 2"
- Groove connectins 1 1/4" - 2"
- Forged brass body
- Chrome plate brass ball valve
- PTFE seats.
- Single handle ball valves with three working positions
- Tamper resistant test orifice and sight glass included

Manufacturer: Giacomini

NOTA EUROFIRE:

Eurofire è un marchio registrato da MEFA Italia per la presentazione di tutti i prodotti della linea Antincendio. I fornitori dei prodotti Eurofire vengono rigorosamente selezionati nel rispetto della qualità e delle caratteristiche distintive descritte in questo documento tecnico. I fornitori dei prodotti potrebbero variare senza preavviso, ma sempre nel rispetto delle caratteristiche qui descritte. Eurofire is a registered trademark of MEFA Italia for the presentation of all products of the Fire Protection Line. The suppliers of Eurofire products are strictly selected in compliance with the quality and distinctive features described in this technical document. Product providers may vary without notice, but always respecting the features described herein.