

FLEXIBLE HOSE - BRAIDED

FLEXIBLE HOSE - UNBRAIDED



The **Proflex** flexible sprinkler connections provide a simple and fast solution for use in automatic sprinkler systems.

Material specifications

- Hexagon slip nut: carbon steel (M34)
- Flexible hose: stainless steel AISI 304, 1.4301
- Outer braid (braided hoses only): stainless steel AISI 304, 1.4301
- Inlet nipple: carbon steel
- Discharge reducer: carbon steel
- Center bracket: carbon steel
- Bar side clamp: carbon steel
- Bolts & screws: carbon steel
- Square bar: carbon steel
- Rubber gasket: nitrile butadiene rubber

Unbraided hoses

Reference	Lenght without fittings	Length with fittings L	Outside diameter	Inside diameter	Minimum bending radius	Active hose length	Nut thread
	ft/mm	ft/mm	mm	mm	inch/mm	mm	
PF700UH	1.78/540	2.3/700	27	23	5/125	400	M34 x 1,5
PF1000UH	2.7/840	3.3/1000	27	23	5/125	700	M34 x 1,5
PF1200UH	3.4/1040	3.9/1200	27	23	5/125	900	M34 x 1,5
PF1500UH	4.3/1340	4.3/1500	27	23	5/125	1200	M34 x 1,5
PF1800UH	5.4/1640	5.9/1800	27	23	5/125	1500	M34 x 1,5

Braided hoses

Reference	Lenght without fittings	Length with fittings L	Outside diameter	Inside diameter	Minimum bending radius	Active hose length	Nut thread
	ft/mm	ft/mm	mm	mm	inch/mm	mm	
PF700BH	1.78/540	2.3/700	28	23	5/125	400	M34 x 1,5
PF1000BH	2.7/840	3.3/1000	28	23	5/125	700	M34 x 1,5
PF1200BH	3.4/1040	3.9/1200	28	23	5/125	900	M34 x 1,5
PF1500BH	4.3/1340	4.3/1500	28	23	5/125	1200	M34 x 1,5
PF1800BH	5.4/1640	5.9/1800	28	23	5/125	1500	M34 x 1,5

Notes:

- When applying bending-angles smaller than 90°, the hoses may be installed with more bends than indicated in above tables, but always with respect of the total allowable amount of bending (n x 90°).
- 3D-bending is allowed but torque is not allowed.
- Profit reserves the right to change specifications, designs and/or standard equipment without notice and without incurring in any obligations.
- We strongly advise to always store our products in closed and dry environments.
- Proflex can be used in APSAD-R1 sprinkler installations. Product approval is not applicable.

CERTIFICATES

Braided hoses



UL certificate EX16234

Pressure rating: 200 PSI / 14 bar

Reference	Total length (mm)	Maximum # bends (90°)	Minimum bending radius (mm)	Allowed max sprinkler K- factors	Outlet reducer size	EL* (m)
PF700BHM34P	700	1	125	115	½"	7,92
PF1000BHM34P	1.000	1	125	115	½"	10,97
PF1200BHM34P	1.200	3	125	115	½"	20,42
PF1500BHM34P	1.500	3	125	115	½"	25,60
PF1800BHM34P	1.800	3	125	115	½"	30,79
PF700BHM34P	700	1	125	200	¾"	9,75
PF1000BHM34P	1.000	1	125	200	¾"	12,80
PF1200BHM34P	1.200	3	125	200	¾"	22,25
PF1500BHM34P	1.500	3	125	200	¾"	23,47
PF1800BHM34P	1.800	3	125	200	¾"	32,00

*EL = Equivalent length of pipe 1"-sched.40 (C-factor=120) at maximum number of hose bends

FM certificate 3037930

Pressure rating: 200 PSI / 14 bar

Reference	Total length (mm)	Maximum # bends (90°)	Minimum bending radius (mm)	Allowed max sprinkler K- factors	Outlet reducer size	EL* (m)
PF700BHM34P	700	1	300	80	½"	8,3
PF1000BHM34P	1.000	2	300	80	½"	12,3
PF1200BHM34P	1.200	3	300	80	½"	15,0
PF1500BHM34P	1.500	4	300	80	½"	19,1
PF1800BHM34P	1.800	4	300	80	½"	23,1
PF700BHM34P	700	1	300	115	¾"	8,1
PF1000BHM34P	1.000	2	300	115	¾"	12,0
PF1200BHM34P	1.200	3	300	115	¾"	14,6
PF1500BHM34P	1.500	4	300	115	¾"	18,6
PF1800BHM34P	1.800	4	300	115	¾"	22,5

*EL = Equivalent length of pipe 1"-sched.40 (C-factor=120) at maximum number of hose bends

VdS certificate G414002

Pressure rating: 232 PSI / 16 bar

Reference	Total length (mm)	Allowed max sprinkler K- factors	Outlet reducer size	EL* (m)
PF700BHM34P	700	57,80,115	½", ¾"	2,60
PF1000BHM34P	1.000	57,80,115	½", ¾"	4,55
PF1200BHM34P	1.200	57,80,115	½", ¾"	5,85
PF1500BHM34P	1.500	57,80,115	½", ¾"	7,80
PF1800BHM34P	1.800	57,80,115	½", ¾"	9,75

*EL = Equivalent length of steelpipe 26,9 x 2,65 mm

Notes:

- When applying bending-angles smaller than 90°, the hoses may be installed with more bends than indicated in above tables, but always with respect of the total allowable amount of bending (n x 90°).
- 3D-bending is also allowed but torque is not allowed.
- Profit reserves the right to change specifications, designs and/or standard equipment without notice and without incurring in any obligations.
- We strongly advise to always store our products in closed and dry environments.

Unbraided hoses



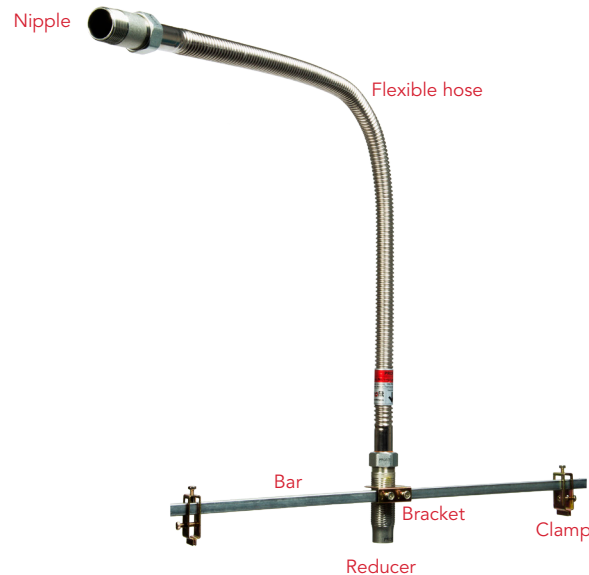
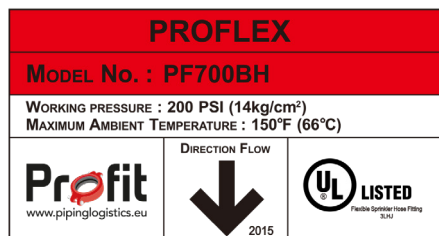
UL certificate EX16234

Pressure rating: 200 PSI / 14 bar

Reference	Total length	Maximum # bends	Minimum bending radius	Allowed max sprinkler K- factors	Outlet reducer size	EL*
	mm	(90°)	mm		inch	(m)
PF700UHM34P	700	1	125	115	1/2"	7,92
PF1000UHM34P	1.000	1	125	115	1/2"	10,97
PF1200UHM34P	1.200	3	125	115	1/2"	20,42
PF1500UHM34P	1.500	3	125	115	1/2"	25,60
PF1800UHM34P	1.800	3	125	115	1/2"	30,79
PF700UHM34P	700	1	125	200	3/4"	9,75
PF1000UHM34P	1.000	1	125	200	3/4"	12,80
PF1200UHM34P	1.200	3	125	200	3/4"	22,25
PF1500UHM34P	1.500	3	125	200	3/4"	23,47
PF1800UHM34P	1.800	3	125	200	3/4"	32,00

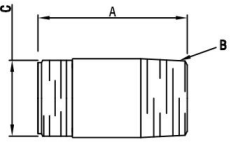
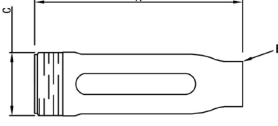
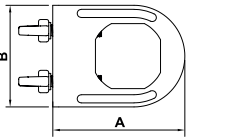
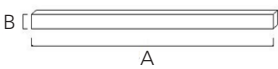
*EL = Equivalent length of pipe 1"-sched.40 (C-factor=120) at maximum number of hose bends

Proflex label example



COMPONENTS OF A STANDARD SET

1	Flexible sprinkler hose	-	
2	EPDM gasket (x2)	GASKETM34	
3	Proflex standard nipple M34 BSPT	PF-NPL-STM34BSPTP	
4	Proflex standard reducer 110mm M34 NPT 1/2" OR Proflex standard reducer 110mm M34 NPT 3/4"	PF-STR-NPT-1/2M34 OR PF-STR-NPT-3/4M34P	
5	Proflex standard bracket	PF-STBP	
6	Proflex short side clamp 62mm (x2)	PF-STC-SP	
7	Proflex bar 700mm	PF700BP	


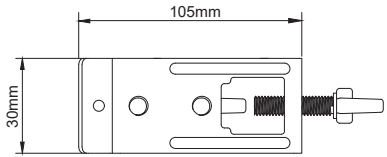

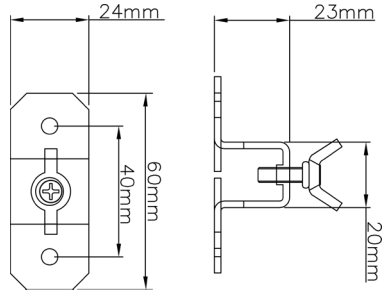

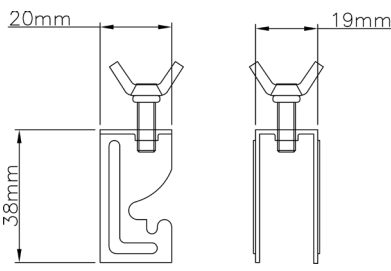

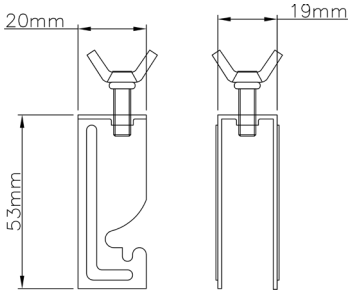
Image	Piece	Dimensions				Weight kg	Thread
		Diameter	A	B	C		
	Nipple	1"	65 mm 2,5 inch	BSPT 1"	M34 x 1,5	0,13	Flexible hose side = M34 Mechanical tee side = BSPT
	Reducer 110 mm	1" - 1/2" 1" - 3/4"	110 mm/4,4 inch 110 mm/4,4 inch	1/2" 3/4"	M34 x 1,5	0,24	NPT 1/2" NPT 3/4"
	Bracket	-	65 mm 2,54 inch	50 mm 1,97 inch	-	0,07	-
	Short side clamp	-	62 mm/2,34 inch	30 mm/1,19 inch	-	0,04	-
	Bar	-	700 mm/27,6 inch	15x15 mm/0,59 inch	-	0,25	-

Material specifications:

- Nuts: plated carbon steel (M34) + EPDM gasket.
- Flexible hose: stainless steel AISI 304, 1.4301.
- Outer braid (braided hoses only): stainless steel AISI 304, 1.4301.
- Inlet nipple: plated carbon steel.
- Discharge reducer: plated carbon steel.
- Center bracket: plated carbon steel.
- Bar side clamp: plated carbon steel.
- Bolts & screws: plated carbon steel.
- Square bar: plated carbon steel.
- All steel parts are electroplated.

OPTIONAL COMPONENTS

1. CLAMPS

Description	Reference	Image	Technical drawing	Weight
Proflex long side clamp 105mm*	PF-STC-LP			kg 0,08
Proflex woodbeam side bracket	PF-SBWB			0,03
Proflex metal stud side bracket 38mm	PF-Metal Stud 38mm			0,02
Proflex metal stud side bracket 53mm**	PF-Metal Stud 53mm			0,03

Notes:

- * For concealed sprinkler.
- ** Please order extra "BAR (700mm)" per 6 pieces PF-METAL STUD 53mm.

OPTIONAL COMPONENTS


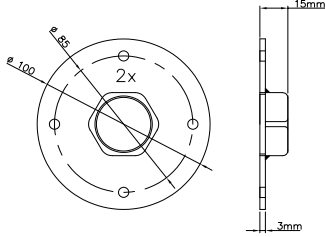

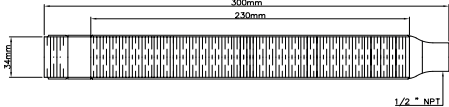
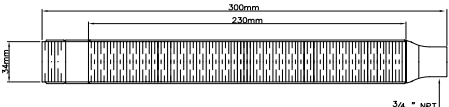

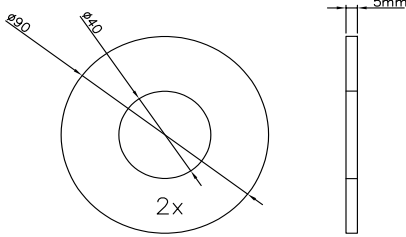

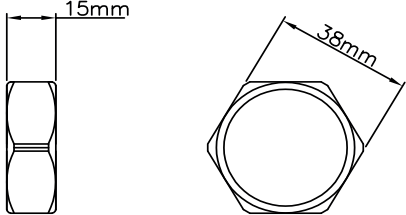

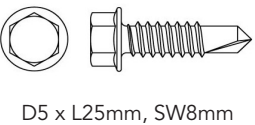
2. REDUCERS

Description	Reference	Image	Technical drawing	Weight
				kg
Proflex straight reducer 155mm - NPT 1/2"	PF-STR-NPT-1/2 M34P155			0,24
Proflex straight reducer 155mm - NPT 3/4"	PF-STR-NPT-3/4 M34P155			
Proflex short elbow reducer 110mm - NPT 1/2"	PF-ELR-110			0,41
Proflex short elbow reducer 110mm - NPT 3/4"	PF-ELR-110-3/4			
Proflex long elbow reducer 155mm - NPT 1/2"	PF-ELR-155			0,50
Proflex long elbow reducer 155mm - NPT 3/4"	PF-ELR-155-3/4			
Proflex elbow bracket reducer	PF-EBR			0,35
Proflex panel fit reducer M34 NPT 1/2"	PF-PFR		See page 7	1,10
Proflex panel fit reducer M34 NPT 3/4"	PF-PFR-3/4			

Material specifications:

plated carbon steel

COMPONENTS OF A PANEL FIT REDUCER SET

Description	Image	Technical drawing	Weight kg
Joint plate (x2)			0,20
Reducer 300mm - 1/2" with external thread			0,60
Reducer 300mm - 3/4" with external thread			
Expanded rubber gasket (x2)			-
Locking nut			-
Self-drilling installation screws (x8)			-

Material specifications:

plated carbon steel

Maximum panel thickness (no gaskets, one joint plate):

190 mm