

Product Description

RD060/RD061 HSW are Standard/Quick Response frangible glass bulb automatic sprinklers. They are CE Marked, LPCB, VdS, FM approved, UL listed, standard orifice firesprinklers for installation in firesprinkler systems. In a fire condition the heat causes the fluid in the glass bulb to expand which shatters the glass and releases the spring seal assembly. Water flows from the orifice onto the sprinkler deflector which diffuses the water into a uniform spray pattern in order to control the fire.

Sidewall Sprinklers are designed for installation along a wall or side of a beam beneath a smooth ceiling.

Models

- RD060: Standard Response
- RD061: Quick Response

Standard Finishes

- Plain (Brass)
- Chrome
- White - Epoxy Powder Polyester
- Other RAL colours, available on request.

Accessories

- Escutcheon
- Sprinkler Wrench

Ordering Information

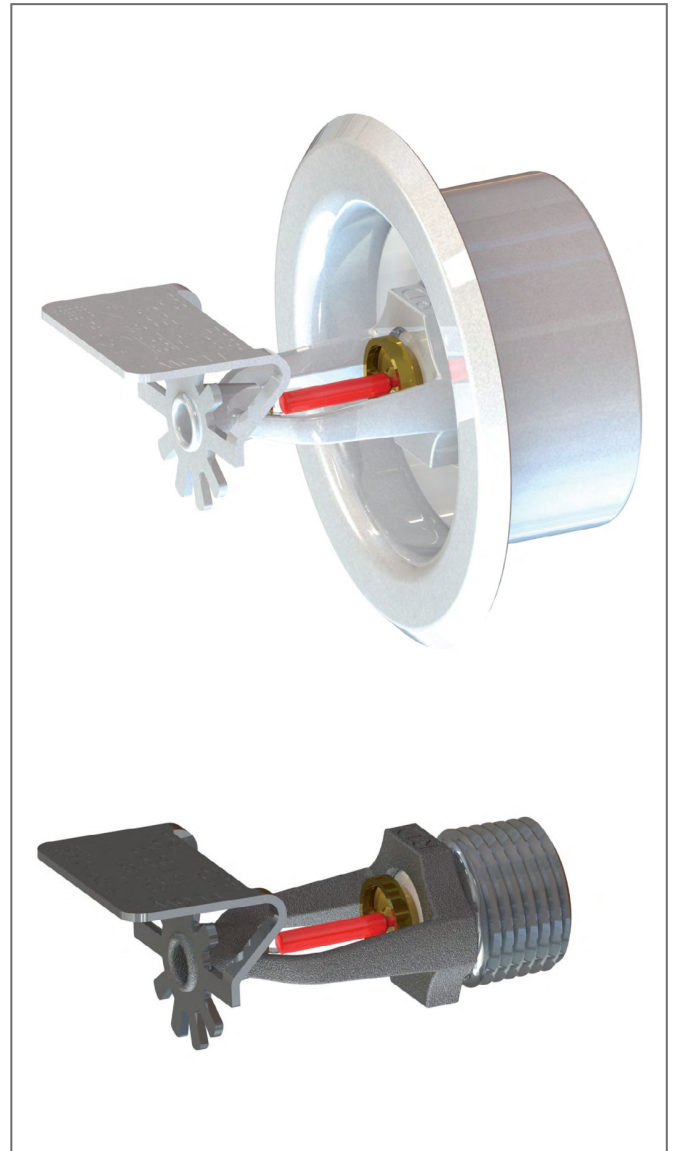
Specify: model, orifice size, operating temperature, response type, finish and approval listing required.

Operating Temperatures

| Nominal Operating Temperature | Bulb Colour |
|-------------------------------|-------------|
| 57°C (135°F) | Orange |
| 68°C (155°F) | Red |
| 79°C (175°F) | Yellow |
| 93°C (200°F) | Green |
| 141°C (286°F) | Blue |

Technical Details

| | |
|--|-----------------------------------|
| K factor | K80 (K5.6) |
| Thread size | 1/2" NPT |
| Max. Working Pressure | 12 bar (175 psi) |
| Min. Operating Pressure | 0.5 bar (7psi) |
| Factory Pressure Test | 34 bar (500 psi) |
| Weight | 60.6 g |
| Fitted with Bulb Protector | Remove after installing sprinkler |
| Top of Deflector to ceiling Distance (UL) | 4 to 12 inches 100mm to 300mm |



A01

Manufacturer: Rapidrop



Design Coverage

For sprinkler coverage area and placement refer to NFPA 13, EN12845 or CEA4001 standards or other Installation rules for automatic sprinkler systems as required by the authority having jurisdiction. The following details are provided for information only.

Installation

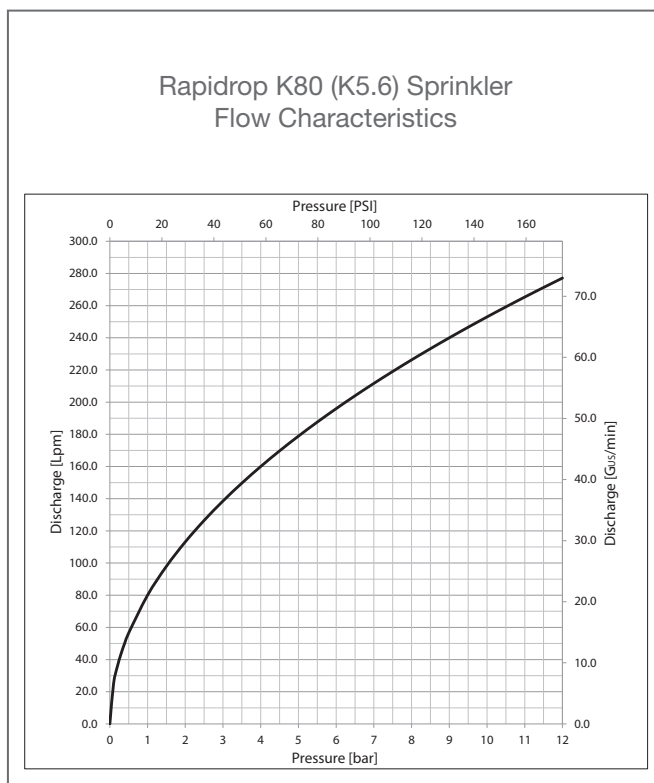
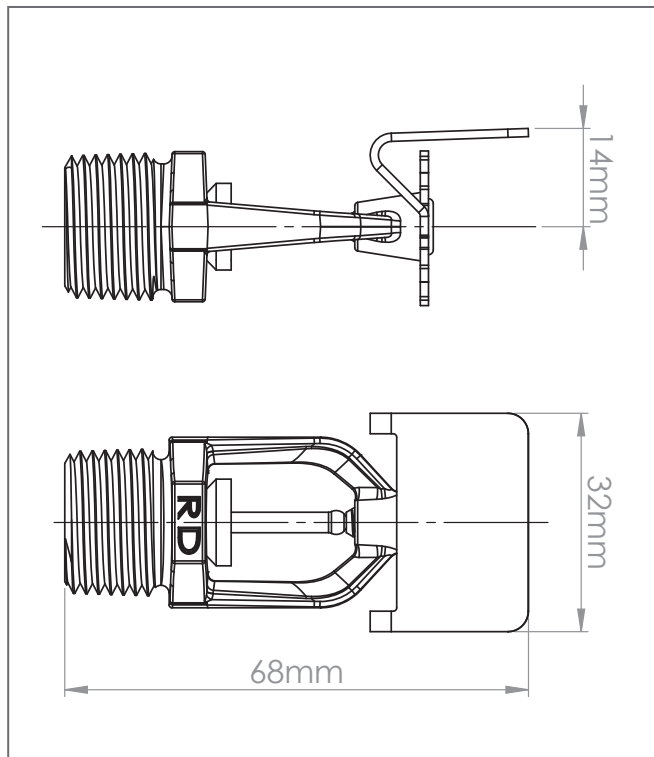
RD060 & RD061 Sprinklers are designed to be installed only in the horizontal position with the deflector parallel to the ceiling. The engraved word TOP on the deflector must be facing towards the ceiling.

1. All Rapidrop sprinklers must be installed and maintained in compliance with this document and according to the installation standards, or local rules and requirements which are specified by the authority having jurisdiction. It is the installer's responsibility to conform to such standards and requirements, deviations from the requirements will void any warranty.
2. To ensure that the minimum flow requirement is met, the system piping must be correctly sized.
3. To avoid mechanical damage the sprinklers must be installed after the piping is in place. Any damaged sprinklers must be replaced. If there is a leak from the sprinkler thread, remove the sprinkler, apply new pipe joint compound or tape and re-install.
4. Always check that the sprinklers are the correct model, style, orifice size, temperature and sensitivity ratings prior to commencing installation.
5. Use only non-hardening pipe joint compound or PTFE tape. Apply to external threads only.
6. Hand tighten the sprinkler into the fitting, then use the correct sprinkler wrench to tighten the sprinkler into the fitting. Ensure that the sprinkler wrench stays on the wrench flats while tightening the sprinkler. A leak tight joint requires only 10 to 19 Nm (7 to 14 ft.lbs.) torque. i.e. a tangential force of 6.35 to 12.7kgs. (14 to 28 lbs.) delivered through a 150mm (6") handle will deliver adequate torque. Torque levels over 29 Nm (21 ft.lbs.) may distort the orifice seal and result in a leakage.
7. Remove sprinkler bulb protector after the sprinkler is installed and before the system is put into service.

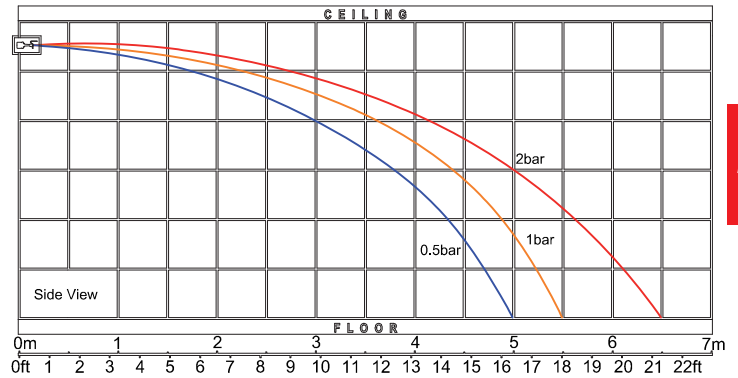
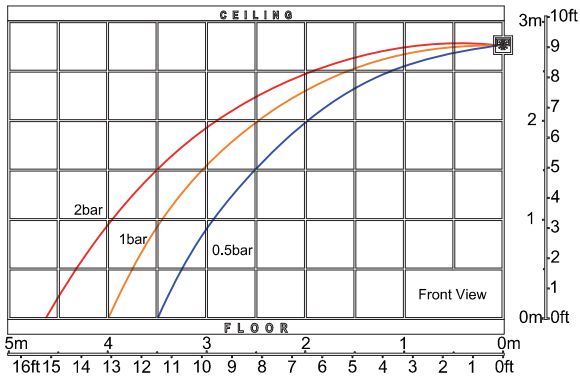
Care and Maintenance

Sprinklers must be carefully handled and stored where temperatures will not exceed 100°F/38°C and they must never be painted, plated, coated or otherwise modified after leaving the factory.

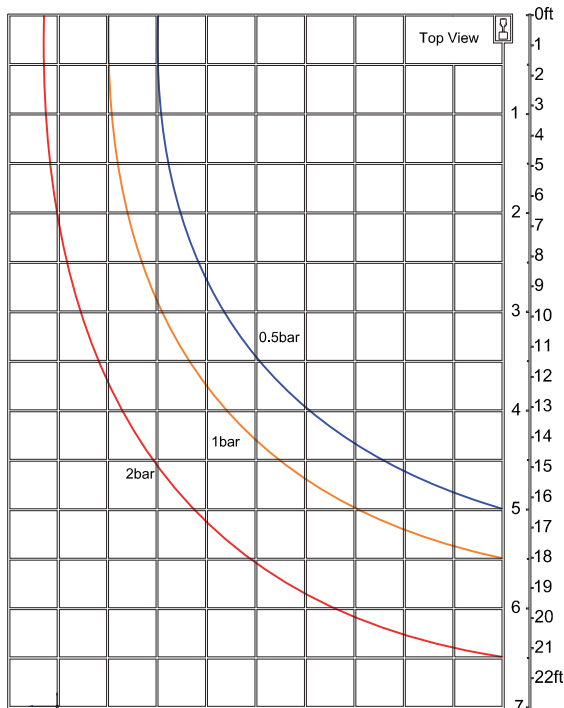
Do not install sprinklers which have been dropped or damaged in any way. The installation rules required by the authority having jurisdiction contain guidelines on minimum inspection and maintenance requirements to assist owners fulfilling their responsibility to ensure sprinklers and sprinkler systems are maintained in proper operating condition.



Spray Patterns



A01



Always use sprinkler spanner for installing the sprinklers.
art number: RDSPKSPANV2

Important Installation Information

Sprinklers RD060 & RD061 must only be installed by a competent person in accordance with requirements of the local authority having jurisdiction. Deviations from these standards will invalidate warranty.

It is the responsibility of the installing contractor to include a copy of this document in the sprinkler system installation, operating and maintenance manual. Alterations to products will void any warranty.

Sprinklers RD060 & RD061 should be inspected and maintained during routine sprinkler system inspections by a competent person in accordance with national codes/requirements.

Failure to follow these instructions could cause improper operation, resulting in personal injury and/or property damage. For further details and technical support please contact your sales representative.



NOTA GENERALE:

L'attrezzatura presentata in questo bollettino deve essere installata in conformità agli ultimi standard pubblicati dalle Norme UNI EN 12845, National Fire Protection Association, Factory Mutual Research Corporation o altre organizzazioni simili e anche con le disposizioni dei codici governativi o delle ordinanze laddove applicabili. Con la presente pagina tecnica, MEFA Italia intende fornire pertinenti informazioni tecniche, aggiornandole periodicamente. MEFA Italia non si ritiene responsabile in caso di errori di stampa o informazioni inesatte in quanto le stesse possono variare senza preavviso. The equipment presented in this bulletin is to be installed in accordance with the latest published Standards of the UNI EN 12845, National Fire Protection Association, Factory Mutual Research Corporation, or other similar organizations and also with the provisions of governmental codes or ordinances whenever applicable. With this technical page, MEFA Italia intends to provide relevant technical information, updating them periodically. MEFA Italia is not responsible for any inaccurate print or inaccurate information as these may vary without prior notice.

NOTA EUROFIRE:

Eurofire è un marchio registrato da MEFA Italia per la presentazione di tutti i prodotti della linea Antincendio. I fornitori dei prodotti Eurofire vengono rigorosamente selezionati nel rispetto della qualità e delle caratteristiche distinte descritte in questo documento tecnico. I fornitori dei prodotti potrebbero variare senza preavviso, ma sempre nel rispetto delle caratteristiche qui descritte. Eurofire is a registered trademark of MEFA Italia for the presentation of all products of the Fire Protection Line. The suppliers of Eurofire products are strictly selected in compliance with the quality and distinctive features described in this technical document. Product providers may vary without notice, but always respecting the features described herein.