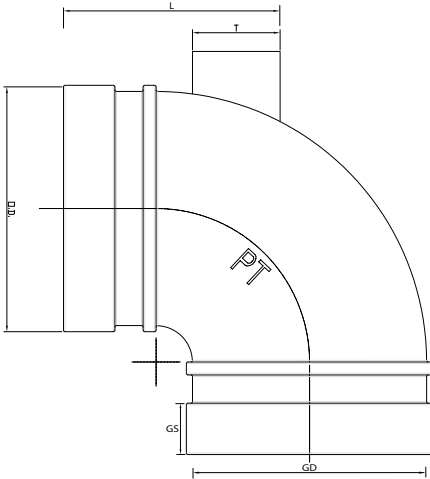


DRAIN ELBOW 90° 2601



Grooved elbows with added 1" female threaded drain outlet, provide an economical and efficient method of changing direction in grooved piping systems.

Reference		Nominal size		Pipe Ø O.D.	Grooved elbow 90° dimensions			Weight	Marking
Red	Galva	NPS inch	DN mm	mm	L mm	GD mm	GS mm	kg	
2601R	2601G	1¼	32	42,4	70	39,0	15,9	-	2601
2601R	2601G	1½	40	48,3	70	45,1	15,9	0,60	2601
2601R	2601G	2	50	60,3	83	57,2	15,9	0,87	2601
2601R	2601G	2-1	50	60,3	83	57,2	15,9	0,87	2601
2601R	2601G	2½	65	73,0	95	69,1	15,9	1,24	2601
2601R	2601G	2½	65	76,1	95	72,3	15,9	1,24	2601
2601R	2601G	2½-1	65	76,1	95	72,3	15,9	1,24	2601
2601R	2601G	3	80	88,9	108	84,9	15,9	1,94	2601
2601R	2601G	4	100	114,3	127	110,1	15,9	2,45	2601
2601R	2601G	5	125	139,7	140	135,5	15,9	-	2601
2601R	2601G	5	125	141,3	140	137,0	15,9	-	2601
2601R	2601G	6	150	165,1	165	160,9	15,9	6,55	2601
2601R	2601G	6	150	168,3	165	164,0	15,9	6,55	2601
2601R	2601G	8	200	219,1	197	214,4	19,1	-	2601

Material specifications

Housing: ductile iron conform to ASTM A536 GR 65-45-12

Coating:

- Hot dip galvanized
- Red paint coating RAL 3000, EPD Epoxy coating

Threaded part = standard BSPT thread 1"

Working pressure

300 PSI/2068 kPa/20,7 barg

General notes:

- Pressure ratings listed are CWP (cold working pressure) or MWP (maximum working pressure) at a maximum service temperature of 50°C. This rating may occasionally differ from maximum working pressure listed and/or approved by UL and/or FM, as testing conditions and test pipes can differ. For more information, please contact info@pipinglogistics.eu.
- Maximum working pressure listed is total of internal and external pressures based on standard weight (ANSI) steel pipe and standard roll or cut groove in accordance with Profit specifications. For more information, please contact info@pipinglogistics.eu.
- For one time field test only, the maximum joint working pressure may be increased by 150% the figure shown.
- Warning: Piping systems must always be depressurized and drained before attempting disassembly and/or removal of any components.
- Piping Logistics reserves the right to change specifications, designs and/or standard equipment without notice and without incurring in any obligations.
- Profit red coated products are intended for piping with indoor application (EN 12944-2 corrosivity category C1 & C2). For outdoor installations near the sea (corrosivity category C3) we advise the use of our hot dip galvanized couplings and fittings. For application in corrosivity category C4 (higher salinity climate) or higher, please contact info@pipinglogistics.eu.
- We advise to always store our products in closed and dry environments.